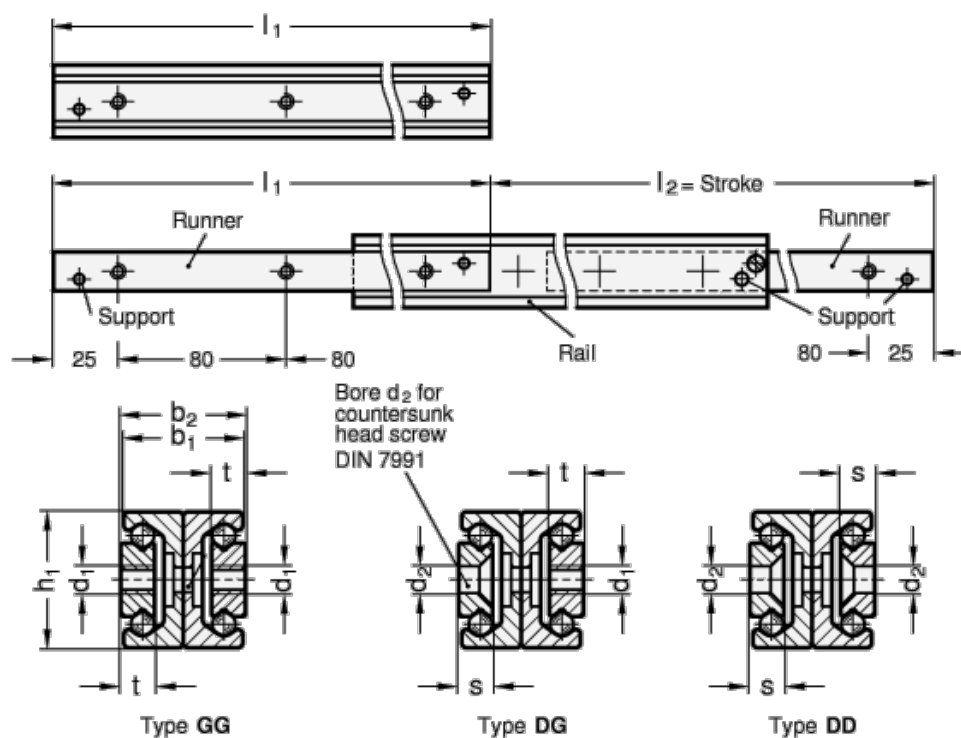


Article number: 20240828450DD

Description: E+G Telescope-Liאר motion bearings GN 2408-28-450-DD

Measures



$b_1 = 24.6$

$b_2 = 25.8$

$d_1 =$

$d_2 = 5.5$

$h_1 = 28$

$L_1 = 450 - 464$

$s = 4$

$t =$

Weight in (g) = 1980